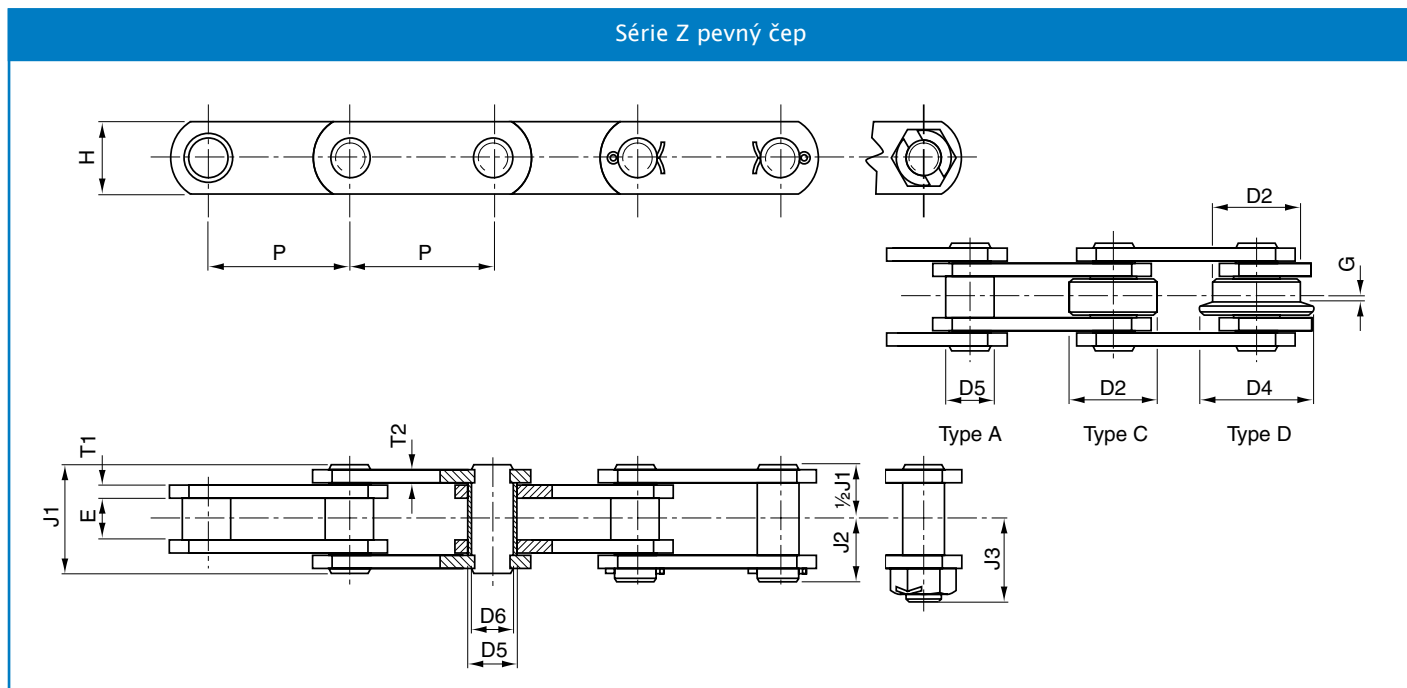


Série Z

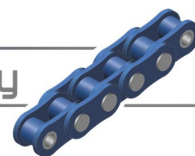
Dopravní řetězy Britský standard (BS 4116 Část 4)

Série Z pevný čep



Pevný čep

Č. řetězu	Minimální mezní zatížení, lbf	Rozteč Palce P	Rozteč mm P	E	H	T1	T2	J1	J2	J3	D2	D4	D5	D6	G	Mezní zatížení kN	Hmotnost (Typ C) kg/m
Z40	7 500	2.0	50.8	15.2	25.4	3.8	4	39.5	22	28.5	31.75	40	19	14	2.5	40	4.0
Z40	"	2.5	63.5	"	"	"	"	"	"	"	"	"	"	"	"	"	3.5
Z40	"	3.0	76.2	"	"	"	"	"	"	"	"	"	"	"	"	"	3.2
Z40	"	3.5	88.9	"	"	"	"	"	"	"	"	"	"	"	"	"	3.0
Z40	"	4.0	101.6	"	"	"	"	"	"	"	"	"	"	"	"	"	2.8
Z40	"	5.0	127.0	"	"	"	"	"	"	"	"	"	"	"	"	"	2.6
Z40	"	6.0	152.4	"	"	"	"	"	"	"	"	"	"	"	"	"	2.4
Z100	15 000	3.0	76.2	19.6	38.2	5.1	4	46.1	28	37	47.63	60	25.4	19	3.5	100	7.7
Z100	"	3.5	88.9	"	"	"	"	"	"	"	"	"	"	"	"	"	7.0
Z100	"	4.0	101.6	"	"	"	"	"	"	"	"	"	"	"	"	"	6.5
Z100	"	5.0	127.0	"	"	"	"	"	"	"	"	"	"	"	"	"	5.8
Z100	"	6.0	152.4	"	"	"	"	"	"	"	"	"	"	"	"	"	5.3
Z100	"	7.0	177.8	"	"	"	"	"	"	"	"	"	"	"	"	"	5.0
Z100	"	8.0	203.2	"	"	"	"	"	"	"	"	"	"	"	"	"	4.7
Z160	30 000	4.0	101.6	25.5	50.8	7.1	5.1	59.13	34.5	51	66.7	82	34.9	26.9	3.5	156	14.3
Z160	"	5.0	127.0	"	"	"	"	"	"	"	"	"	"	"	"	"	12.5
Z160	"	6.0	152.4	"	"	"	"	"	"	"	"	"	"	"	"	"	11.3
Z160	"	7.0	177.8	"	"	"	"	"	"	"	"	"	"	"	"	"	10.5
Z160	"	8.0	203.2	"	"	"	"	"	"	"	"	"	"	"	"	"	9.8
Z160	"	9.0	228.6	"	"	"	"	"	"	"	"	"	"	"	"	"	9.3
Z160	"	10.0	254.0	"	"	"	"	"	"	"	"	"	"	"	"	"	9.0
Z300	45 000	6.0	152.4	38	65	10	8	82.5	47	70	88.9	107.9	41.3	31.75	8.5	300	24.3
Z300	"	7.0	177.8	"	"	"	"	"	"	"	"	"	"	"	"	"	22.0
Z300	"	8.0	203.2	"	"	"	"	"	"	"	"	"	"	"	"	"	21.0
Z300	"	10.0	254.0	"	"	"	"	"	"	"	"	"	"	"	"	"	18.0
Z300	"	12.0	304.8	"	"	"	"	"	"	"	"	"	"	"	"	"	16.5

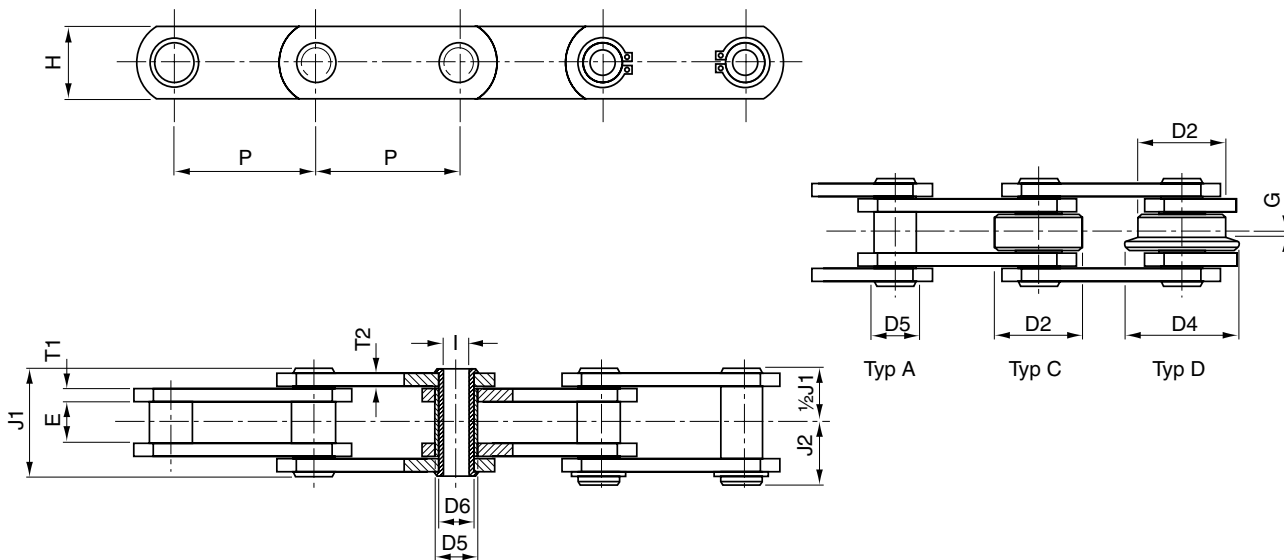


# Dopravní řetězy

Série ZC

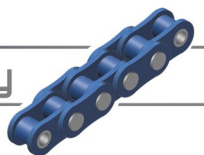
Dopravní řetězy Britský standard (BS 4116 Část 4)

Série ZC s dutými čepy



## S dutými čepy

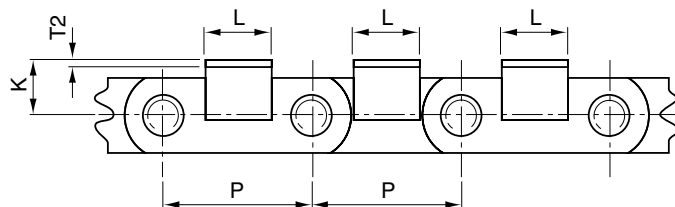
Č. řetězu	Minimální mezí zatížení, lbf	Rozteč Palce P	Rozteč mm P	E	I	H	T1	T2	J1	J2	D2	D4	D5	D6	G	Mezí zatížení kN	Hmot- zátížení nost (Typ C) kg/m
ZC21	4 500	1.5	38.1	12.7	6.5	18	2.5	2.5	26	14.5	25.4	/	11	9	/	21	2.2
ZC21	"	2.0	50.8	"	"	"	"	"	"	"	"	"	"	"	"	"	1.7
ZC21	"	2.5	63.5	"	"	"	"	"	"	"	"	"	"	"	"	"	1.6
ZC21	"	3.0	76.2	"	"	"	"	"	"	"	"	"	"	"	"	"	1.4
ZC40	6 000	2.0	50.8	15.2	10.3	25.4	3.8	4	37.2	19.5	31.75	40	19	14	2.5	40	3.6
ZC40	"	2.5	63.5	"	"	"	"	"	"	"	"	"	"	"	"	"	3.2
ZC40	"	3.0	76.2	"	"	"	"	"	"	"	"	"	"	"	"	"	3.0
ZC40	"	3.5	88.9	"	"	"	"	"	"	"	"	"	"	"	"	"	2.8
ZC40	"	4.0	101.6	"	"	"	"	"	"	"	"	"	"	"	"	"	2.6
ZC40	"	5.0	127.0	"	"	"	"	"	"	"	"	"	"	"	"	"	2.4
ZC40	"	6.0	152.4	"	"	"	"	"	"	"	"	"	"	"	"	"	2.3
ZC60	12 000	3.0	76.2	19.16	13.2	38.2	5.1	4	44	23.5	47.63	60	25.4	19	3.5	60	7.0
ZC60	"	3.5	88.9	"	"	"	"	"	"	"	"	"	"	"	"	"	6.4
ZC60	"	4.0	101.6	"	"	"	"	"	"	"	"	"	"	"	"	"	6.0
ZC60	"	5.0	127.0	"	"	"	"	"	"	"	"	"	"	"	"	"	5.3
ZC60	"	6.0	152.4	"	"	"	"	"	"	"	"	"	"	"	"	"	4.9
ZC60	"	7.0	177.8	"	"	"	"	"	"	"	"	"	"	"	"	"	4.6
ZC60	"	8.0	203.2	"	"	"	"	"	"	"	"	"	"	"	"	"	4.4
ZC150	24 000	4.0	101.6	25.5	19.6	50.8	7.1	5.1	57	31.5	66.7	82	34.9	26.9	4	150	12.8
ZC150	"	5.0	127.0	"	"	"	"	"	"	"	"	"	"	"	"	"	11.3
ZC150	"	6.0	152.4	"	"	"	"	"	"	"	"	"	"	"	"	"	11.0
ZC150	"	7.0	177.8	"	"	"	"	"	"	"	"	"	"	"	"	"	9.5
ZC150	"	8.0	203.2	"	"	"	"	"	"	"	"	"	"	"	"	"	9.0
ZC150	"	9.0	228.6	"	"	"	"	"	"	"	"	"	"	"	"	"	8.6
ZC150	"	10.0	254.0	"	"	"	"	"	"	"	"	"	"	"	"	"	8.2
ZC300	36 000	6.0	152.4	38	23	65	10	8	82	43.5	88.9	107.9	41.3	31.75	8.5	300	22.3
ZC300	"	7.0	177.8	"	"	"	"	"	"	"	"	"	"	"	"	"	20.2
ZC300	"	8.0	203.2	"	"	"	"	"	"	"	"	"	"	"	"	"	18.8
ZC300	"	10.0	254.0	"	"	"	"	"	"	"	"	"	"	"	"	"	16.4
ZC300	"	12.0	304.8	"	"	"	"	"	"	"	"	"	"	"	"	"	15.2



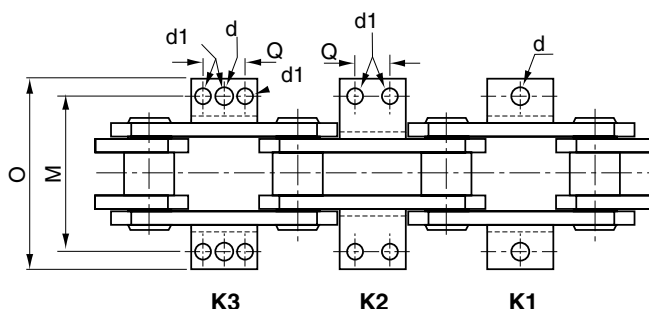
## Série Z/ZC

## Dopravní řetězy Britský standard (BS 4116 Část 4)

## Unášeče série Z/ZC

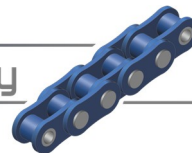


Poznámka: Unášeče jsou také k dispozici v provedení A1, A2 a A3 (1, 2 a 3 díry, pouze jednostranné)



## Dopravní unášeče

Č. řetězu	Minimální mezní zatížení lbf	Rozteč Palce P	Rozteč mm P	Typ unášeče	K	M	L	d	d1	O	Q	Průměrná hmotnost (každá) kg
ZC40 / Z40	6 000 / 7 500	2.0	50.8	K1	19	76.2	45.0	10.6	/	129	/	0.10
ZC40 / Z40	"	2.5	63.5	K1, K2	"	"	43.0	"	9.2	112	22.2	0.10
ZC40 / Z40	"	3.0	76.2	K3	"	"	"	"	"	136	"	0.10
ZC40 / Z40	"	3.5	88.9	K1, K2, K3	"	"	50.0	"	"	112	31.8	0.10
ZC40 / Z40	"	4.0	101.6	K3	"	"	64.0	"	"	110	"	0.10
ZC40 / Z40	"	5.0	127.0	K3	"	"	85.0	"	"	112	57.2	0.20
ZC40 / Z40	"	6.0	152.4	K3	"	"	88.0	"	"	"	"	0.20
ZC100 / Z100	12 000 / 15 000	3.0	76.2	K1	31.8	88.9	35.0	13.87	/	130	/	0.12
ZC100 / Z100	"	3.5	88.9	K1	"	"	"	"	/	"	/	0.12
ZC100 / Z100	"	4.0	101.6	K3	"	"	64.0	"	11	"	31.8	0.10
ZC100 / Z100	"	5.0	127.0	K1, K2	"	"	56.0	"	"	"	57.2	0.30
ZC100 / Z100	"	6.0	152.4	K3	"	"	114.5	"	"	"	"	0.32
ZC100 / Z100	"	7.0	177.8	K1, K2	"	"	127.0	"	"	"	89.0	0.40
ZC100 / Z100	"	8.0	203.2	K1, K2	"	"	"	"	"	"	"	0.40
ZC160 / Z160	24 000 / 30 000	4.0	101.6	K1	38.1	108.0	35.0	15.5	/	154	/	0.19
ZC160 / Z160	"	5.0	127.0	K1, K2	"	"	56.0	"	12.7	"	31.7	0.30
ZC160 / Z160	"	6.0	152.4	K1, K2	"	"	84.0	"	"	"	57.2	0.38
ZC160 / Z160	"	7.0	177.8	K1, K2	"	"	108.0	"	"	"	"	0.38
ZC160 / Z160	"	8.0	203.2	K1, K2	"	"	127.0	"	"	"	88.9	0.60
ZC160 / Z160	"	9.0	228.6	K1, K2	"	"	168.0	"	"	"	"	0.69
ZC160 / Z160	"	10.0	254.0	K1, K2	"	"	168.0	"	"	"	133.35	0.75
ZC300 / Z300	36 000 / 45 000	6.0	152.4	K1	51	146.0	70.0	17.0	/	200	38.1	0.50
ZC300 / Z300	"	7.0	177.8	K1	"	"	"	"	/	"	"	0.50
ZC300 / Z300	"	8.0	203.2	K1, K2	"	"	100.0	"	14.0	"	76.2	0.70
ZC300 / Z300	"	10.0	254.0	K1, K2	"	"	152.4	"	"	"	90.0	0.90
ZC300 / Z300	"	12.0	304.8	K1, K2	"	"	225.0	"	"	"	190.0	1.60
Z300 / 60	60 000	6.0	152.4	K1	51	146.0	70.0	17.0	/	200	38.1	0.50
Z300 / 60	"	7.0	177.8	K1	"	"	"	"	/	"	"	0.50
Z300 / 60	"	8.0	203.2	K1, K2	"	"	100.0	"	14.0	"	76.2	0.70
Z300 / 60	"	10.0	254.0	K1, K2	"	"	152.4	"	"	"	90.0	0.90
Z300 / 60	"	12.0	304.8	K1, K2	"	"	225.0	"	"	"	190.0	1.60

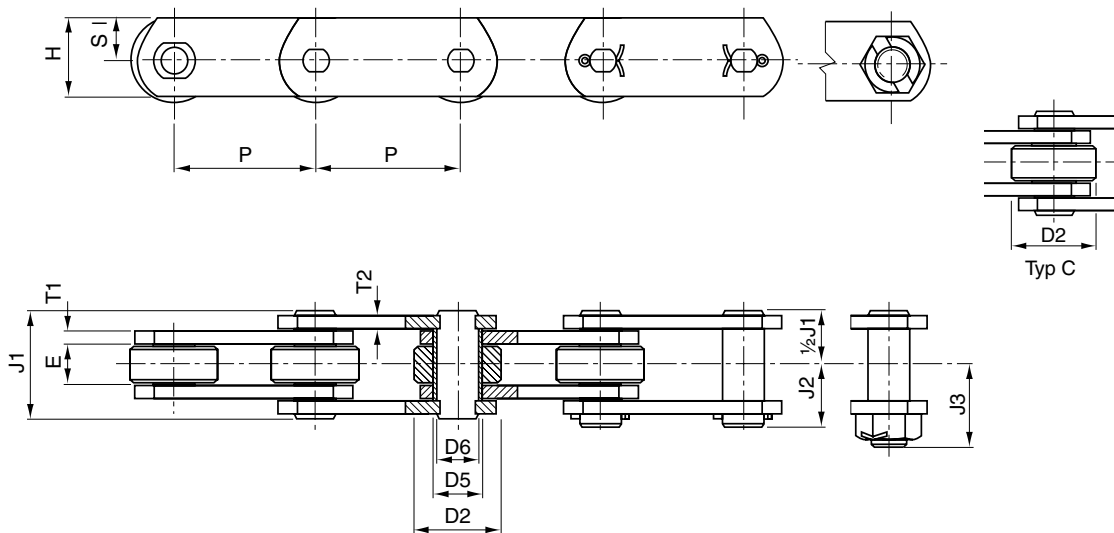


# Dopravní řetězy

Série ZE

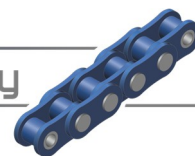
Dopravní řetězy Britský standard (BS 4116 Část 4)

Série ZE s nosnými deskami



## Nosné desky

Č. řetězu	Minimální mezní zatížení, lbf	Rozteč Palce P	Rozteč mm P	E	H	S	T1	T2	J1	J2	J3	D2	D5	D6	Mezní zatížení kN	Hmotnost (Typ C) kg/m
ZE40	7 500	2.0	50.8	15.2	38.1	27	3.8	4	3.9	22	28.5	31.75	19.05	14	40	5.0
ZE40	"	2.5	63.5	"	"	"	"	"	"	"	"	"	"	"	"	4.6
ZE40	"	3.0	76.2	"	"	"	"	"	"	"	"	"	"	"	"	4.2
ZE40	"	3.5	88.9	"	"	"	"	"	"	"	"	"	"	"	"	4.0
ZE40	"	4.0	101.6	"	"	"	"	"	"	"	"	"	"	"	"	3.8
ZE40	"	5.0	127.0	"	"	"	"	"	"	"	"	"	"	"	"	3.5
ZE40	"	6.0	152.4	"	"	"	"	"	"	"	"	"	"	"	"	3.3
ZE100	15 000	3.0	76.2	19	50.8	30	5.2	5.2	46.1	28	37	47.6	25.4	19	100	8.9
ZE100	"	3.5	88.9	"	"	"	"	"	"	"	"	"	"	"	"	8.4
ZE100	"	4.0	101.6	"	"	"	"	"	"	"	"	"	"	"	"	7.6
ZE100	"	5.0	127.0	"	"	"	"	"	"	"	"	"	"	"	"	6.8
ZE100	"	6.0	152.4	"	"	"	"	"	"	"	"	"	"	"	"	6.3
ZE100	"	7.0	177.8	"	"	"	"	"	"	"	"	"	"	"	"	5.9
ZE100	"	8.0	203.2	"	"	"	"	"	"	"	"	"	"	"	"	7.7
ZE160	30 000	4.0	101.6	25.5	70	45	7.1	5.2	59.1	34.5	51	66.7	34.9	26.9	160	17.5
ZE160	"	5.0	127.0	"	"	"	"	"	"	"	"	"	"	"	"	15.4
ZE160	"	6.0	152.4	"	"	"	"	"	"	"	"	"	"	"	"	13.8
ZE160	"	7.0	177.8	"	"	"	"	"	"	"	"	"	"	"	"	12.8
ZE160	"	8.0	203.2	"	"	"	"	"	"	"	"	"	"	"	"	12.0
ZE160	"	9.0	228.6	"	"	"	"	"	"	"	"	"	"	"	"	11.3
ZE160	"	10.0	254.0	"	"	"	"	"	"	"	"	"	"	"	"	10.5
ZE300	45 000	6.0	152.4	38	90	60	10	8	82.5	47	70	88.9	41.3	31.75	300	32.0
ZE300	"	7.0	177.8	"	"	"	"	"	"	"	"	"	"	"	"	29.5
ZE300	"	8.0	203.2	"	"	"	"	"	"	"	"	"	"	"	"	27.0
ZE300	"	10.0	254.0	"	"	"	"	"	"	"	"	"	"	"	"	24.5
ZE300	"	12.0	304.8	"	"	"	"	"	"	"	"	"	"	"	"	23.0
ZE300/60	60 000	6.0	152.4	38	90	60	10	8	84	52	71	88.9	38	32	300	32.0
ZE300/60	"	7.0	177.8	"	"	"	"	"	"	"	"	"	"	"	"	29.5
ZE300/60	"	8.0	203.2	"	"	"	"	"	"	"	"	"	"	"	"	27.0
ZE300/60	"	10.0	254.0	"	"	"	"	"	"	"	"	"	"	"	"	24.5
ZE300/60	"	12.0	304.8	"	"	"	"	"	"	"	"	"	"	"	"	23.0

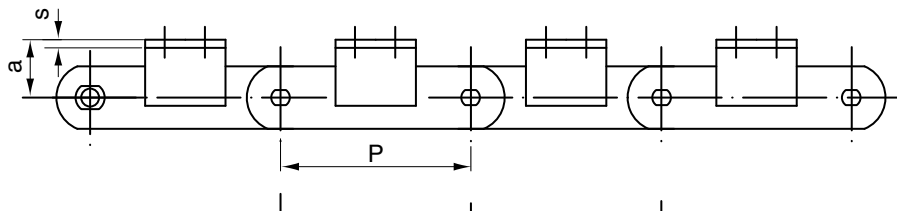


# Dopravní řetězy

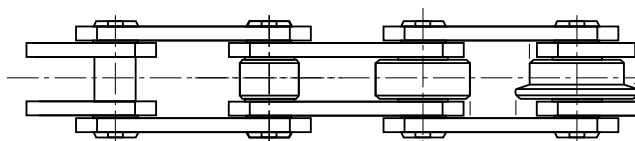
Unášeče Série M

Dopravní řetězy metrické (DIN 8167)

Unášeče Série M



Poznámka: Unášeče jsou také k dispozici v provedení s 1, 2 nebo 3 díry a K1, K2 a K3 (oboustranné)

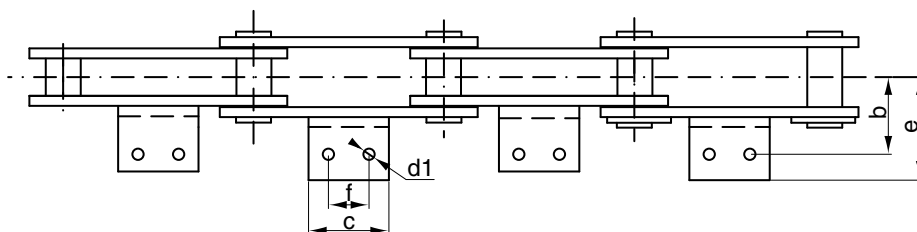


Typ A

Typ B

Typ C

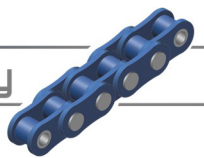
Typ D



Č. řetězu	Rozteč P	a	b	c	d1	e	f	Svařovaný nebo inte- grální unášeč	Hmotnost řetězu - bez unášeče kg/metr				Hmotnost unášeče (A2) kg každý
									Type A	Type B	Type C	Type D	
M 20	40	16	27	14	6.6	40	*	#	1.10	1.3	2.4	2.5	0.02
"	50	"	"	14	"	"	*	#	1.01	1.3	2.0	2.1	0.02
"	63	"	"	35	"	"	20	25x3	0.99	1.2	1.8	1.9	0.04
"	80	"	"	50	"	"	35	"	0.90	1.1	1.6	1.6	0.06
M 28	50	20	32	20	9	47	*	20x3	1.60	1.9	3.3	3.4	0.02
"	63	"	"	20	"	"	*	30x3	1.50	1.7	2.8	2.9	0.02
"	80	"	"	45	"	"	25	"	1.40	1.6	2.5	2.6	0.05
"	100	"	"	60	"	"	40	"	1.30	1.5	2.1	2.2	0.08
M 40	63	25	35	31	9	50	*	# 30x4	2.25	2.6	4.4	4.6	0.04
"	80	"	"	45	"	"	20	# "	2.00	2.3	3.7	3.9	0.07
"	100	"	"	60	"	"	40	# "	1.90	2.1	3.2	3.4	0.10
"	125	"	"	85	"	"	65	"	1.80	2.0	2.9	3.0	0.15
M 56	63	30	44	22	11	61	*	40x4	3.40	3.9	6.8	7.2	0.05
"	80	"	"	30	"	"	*	"	3.00	3.4	5.7	6.0	0.07
"	100	"	"	50	"	"	25	"	2.80	3.1	5.0	5.2	0.12
"	125	"	"	75	"	"	50	"	2.60	2.9	4.4	4.5	0.18
"	160	"	"	110	"	"	85	"	2.54	2.7	3.9	4.1	0.27
M 80	80	35	48	30	11	65	*	# 40x4	4.70	5.4	9.2	9.4	0.07
"	100	"	"	50	"	"	25	# "	4.30	4.8	7.9	8.0	0.12
"	125	"	"	75	"	"	50	# "	4.00	4.4	6.9	7.0	0.18
"	160	"	"	110	"	"	85	# "	3.70	4.0	6.0	6.1	0.27
"	200	"	"	150	"	"	125	# "	3.50	3.8	5.3	5.4	0.36

\* Unášeč s jednou dírou

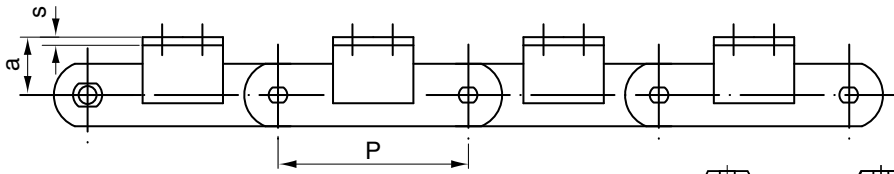
# Integrovaný unášeč



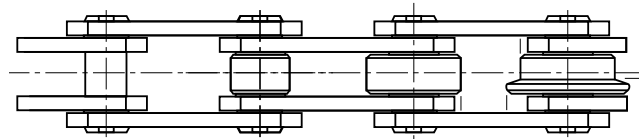
Unášeče Série M

Dopravní řetězy metrické (DIN 8167)

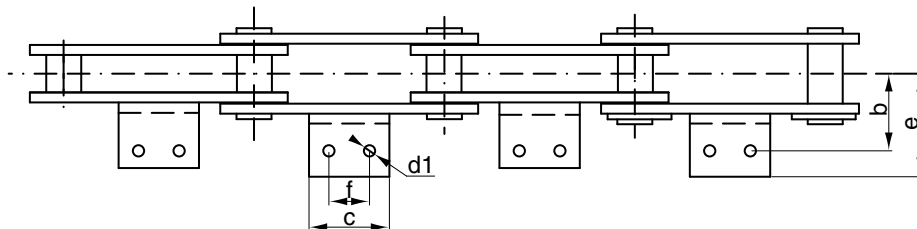
Unášeče Série M



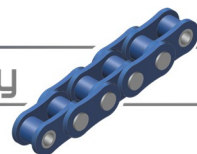
Poznámka: Unášeče jsou také k dispozici v provedení s 1, 2 nebo 3 díry a K1, K2 a K3 (oboustranné)



Typ A      Typ B      Typ C      Typ D



Č. řetězu	Rozteč P	a	b	c	d1	e	f	Svařovaný nebo integrální unášeč	Hmotnost řetězu – bez unášeče kg/m				Hmotnost unášeče (A2) kg každý
									Type A	Type B	Type C	Type D	
M 112	80	40	55	28	14	80	*	50x6	6.8	8.0	14.0	14.7	0.13
"	100	"	"	40	"	"	*	"	6.2	7.2	12.0	12.5	0.18
"	125	"	"	65	"	"	35	"	5.7	6.5	10.4	10.8	0.30
"	160	"	"	95	"	"	65	"	5.3	5.9	9.0	9.3	0.44
"	200	"	"	130	"	"	100	"	5.0	5.5	7.9	8.2	0.59
M 160	100	45	62	30	14	85	*	50x6	9.7	11.2	18.9	20.2	0.13
"	125	"	"	50	"	"	25	"	8.9	10.0	16.3	18.1	0.23
"	160	"	"	80	"	"	50	"	8.2	9.1	14.0	15.4	0.37
"	200	"	"	115	"	"	85	"	7.6	8.4	12.2	13.4	0.53
"	250	"	"	175	"	"	145	"	7.3	7.9	11.0	12.0	0.80
M 224	125	55	70	35	18	100	*	60x8	13.0	14.8	25.8	26.6	0.30
"	160	"	"	60	"	"	*	"	12.0	13.4	22.0	22.7	0.43
"	200	"	"	100	"	"	65	"	11.0	12.1	19.0	19.5	0.71
"	250	"	"	160	"	"	125	"	10.3	11.2	16.7	17.1	1.13
"	315	"	"	230	"	"	190	"	9.8	10.5	14.9	15.2	1.60
M 315	160	65	80	35	18	115	*	70x9	18.3	20.4	33.3	34.6	0.32
"	200	"	"	85	"	"	50	"	16.7	18.4	28.7	29.7	0.66
"	250	"	"	140	"	"	100	"	15.6	17.0	25.2	26.0	1.10
"	315	"	"	190	"	"	155	"	14.6	15.7	22.3	22.9	1.46
"	400	"	"	205	"	"	155	"	13.9	14.8	20.0	20.5	1.46

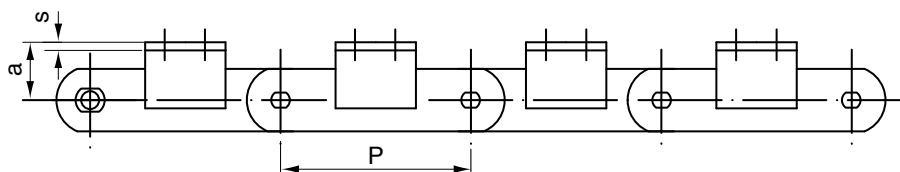


# Dopravní řetězy

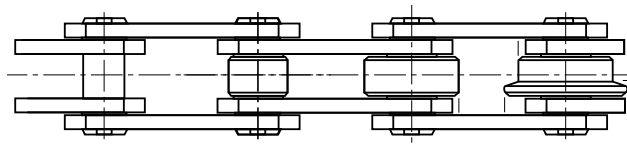
Unášeče Série M

Dopravní řetězy metrické (DIN 8167)

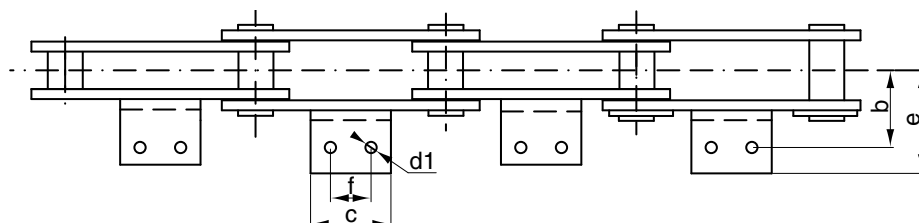
Unášeče Série M



Poznámka: Unášeče jsou také k dispozici v provedení s 1, 2 nebo 3 díry a K1, K2 a K3 (oboustranné)

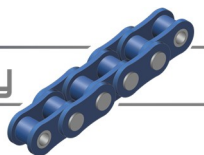


Typ A Typ B Typ C Typ D



Č. řetězu	Rozteč P	a	b	c	d1	e	f	Svařovaný nebo integrální unášeč	Hmotnost řetěze - bez unášeče kg/m				Hmotnost unášeče (A2) kg každý
									Typ A	Typ B	Typ C	Typ D	
M 450	200	75	90	50	18	125	*	70x9	24.0	27.0	40.5	47.0	0.33
"	250	"	"	125	"	"	85	"	22.0	24.9	39.5	41.0	1.00
"	315	"	"	195	"	"	155	"	21.0	23.0	34.5	36.0	1.60
"	400	"	"	280	"	"	240	"	19.6	21.2	30.5	31.4	2.30
M 630	250	90	115	50	24	165	*	100x12	36.0	40.8	64.0	66.9	0.90
"	315	"	"	150	"	"	100	"	33.4	36.6	55.5	57.7	2.70
"	400	"	"	240	"	"	190	"	31.5	33.9	49.0	50.7	4.30
"	500	"	"	350	"	"	300	"	29.6	31.6	43.6	45.0	6.20
M 900	250	110	140	60	30	195	*	120x15	49.7	56.5	98.3	104.5	1.60
"	315	"	"	125	"	"	65	"	45.5	51.8	84.2	89.7	3.30
"	400	"	"	215	"	"	155	"	42.0	46.2	72.5	76.9	5.70
"	500	"	"	300	"	"	240	"	39.3	42.7	63.8	67.6	8.00
"	600	"	"	350	"	"	300	"	37.3	39.9	56.6	58.9	8.00

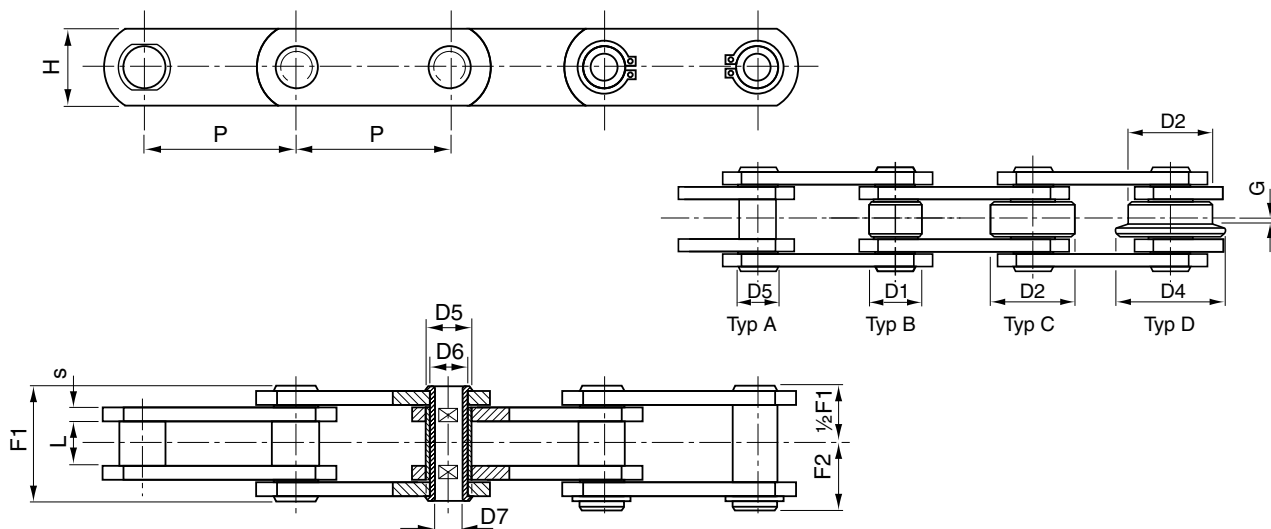
\* Unášeč s jednou dírou



Série MC dutý čep

Dopravní řetězy metrické (DIN 8167)

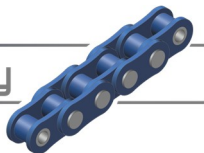
Série MC dutý čep



## Dutý čep

Č. řetězu	Rozteč P	L	G	H	S	F1	F2	D1	D2	D4	D5	D6	D7	Mezní zatížení kN	Hmotnost (Typ C) kg/m
MC 28	50	20	4.5	25	3	36.0	20.5	25	36	45	17	13.0	8.2	28	4.3
"	63	"	"	"	"	"	"	"	"	"	"	"	"	"	3.8
"	80	"	"	"	"	"	"	"	"	"	"	"	"	"	3.2
"	100	"	"	"	"	"	"	"	"	"	"	"	"	"	2.8
"	125	"	"	"	"	"	"	"	"	"	"	"	"	"	2.5
MC 56	63	24	7.0	35	4	45.0	25.0	30	50	60	21	15.5	10.2	56	8.5
"	80	"	"	"	"	"	"	"	"	"	"	"	"	"	7.2
"	100	"	"	"	"	"	"	"	"	"	"	"	"	"	6.2
"	125	"	"	"	"	"	"	"	"	"	"	"	"	"	5.4
"	160	"	"	"	"	"	"	"	"	"	"	"	"	"	4.7
MC 112	80	32	8.5	50	6	62.5	33.0	42	70	85	29	22.0	14.3	112	16.6
"	100	"	"	"	"	"	"	"	"	"	"	"	"	"	14.0
"	125	"	"	"	"	"	"	"	"	"	"	"	"	"	11.2
"	160	"	"	"	"	"	"	"	"	"	"	"	"	"	10.2
"	200	"	"	"	"	"	"	"	"	"	"	"	"	"	8.9
"	250	"	"	"	"	"	"	"	"	"	"	"	"	"	7.9
MC 224	125	43	10.5	70	8	83.0	44.0	60	100	120	42	30.0	20.3	224	32.3
"	160	"	"	"	"	"	"	"	"	"	"	"	"	"	27.1
"	200	"	"	"	"	"	"	"	"	"	"	"	"	"	23.5
"	250	"	"	"	"	"	"	"	"	"	"	"	"	"	20.6
"	315	"	"	"	"	"	"	"	"	"	"	"	"	"	17.2

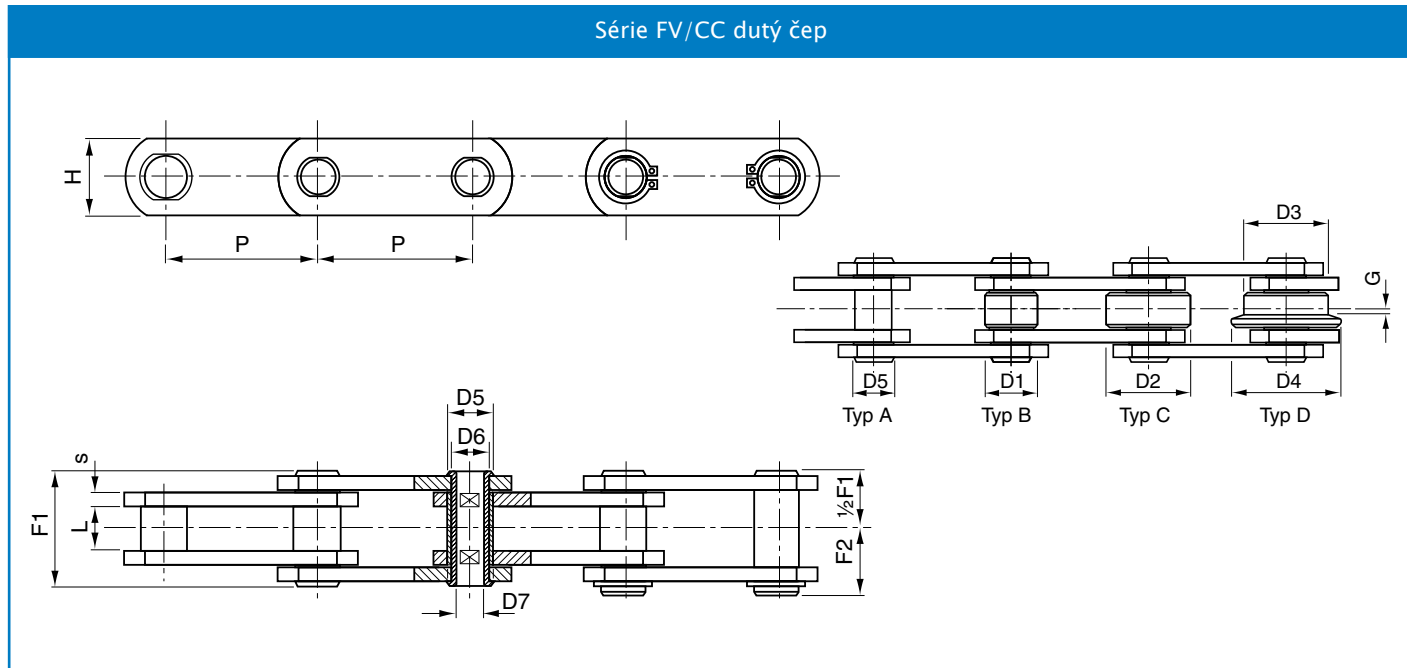




Série FV/CC

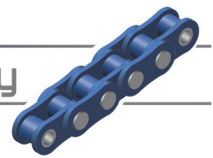
Dopravní řetězy metrické (DIN 8165)

Série FV/CC dutý čep



## Dutý čep

DIN č.	Č. řetězu	Rozteč		G	H	S	F1	F2	D1	D2	D3	D4	D5	D6	D7	Mezní zatížení kN	Hmotnost (Typ C) kg/m
		P	L														
FV63	CC46	63	22	5	30	4	45	28	26	40	50	63	18	12	8	46	5.7
"	"	80	"	"	"	"	"	"	"	"	"	"	"	"	"	"	4.9
"	"	100	"	"	"	"	"	"	"	"	"	"	"	"	"	"	4.3
"	"	125	"	"	"	"	"	"	"	"	"	"	"	"	"	"	3.8
"	"	160	"	"	"	"	"	"	"	"	"	"	"	"	"	"	3.4
FV90	CC73	63	25	6.5	35	5	53	30	30	48	63	78	20	14	10	73	9.1
"	"	80	"	"	"	"	"	"	"	"	"	"	"	"	"	"	7.8
"	"	100	"	"	"	"	"	"	"	"	"	"	"	"	"	"	6.8
"	"	125	"	"	"	"	"	"	"	"	"	"	"	"	"	"	5.6
"	"	160	"	"	"	"	"	"	"	"	"	"	"	"	"	"	5.3
"	"	200	"	"	"	"	"	"	"	"	"	"	"	"	"	"	4.7
"	"	250	"	"	"	"	"	"	"	"	"	"	"	"	"	"	4.3
FV112	CC90	100	30	7.5	40	6	62	32	32	55	72	90	22	16	11	90	10.2
"	"	125	"	"	"	"	"	"	"	"	"	"	"	"	"	"	8.9
"	"	160	"	"	"	"	"	"	"	"	"	"	"	"	"	"	7.8
"	"	200	"	"	"	"	"	"	"	"	"	"	"	"	"	"	7.0
"	"	250	"	"	"	"	"	"	"	"	"	"	"	"	"	"	6.3
FV140	CC110	100	35	9	45	6	67	35	36	60	80	100	26	18	12	110	12.9
"	"	125	"	"	"	"	"	"	"	"	"	"	"	"	"	"	11.2
"	"	160	"	"	"	"	"	"	"	"	"	"	"	"	"	"	9.7
"	"	200	"	"	"	"	"	"	"	"	"	"	"	"	"	"	8.6
"	"	250	"	"	"	"	"	"	"	"	"	"	"	"	"	"	7.7

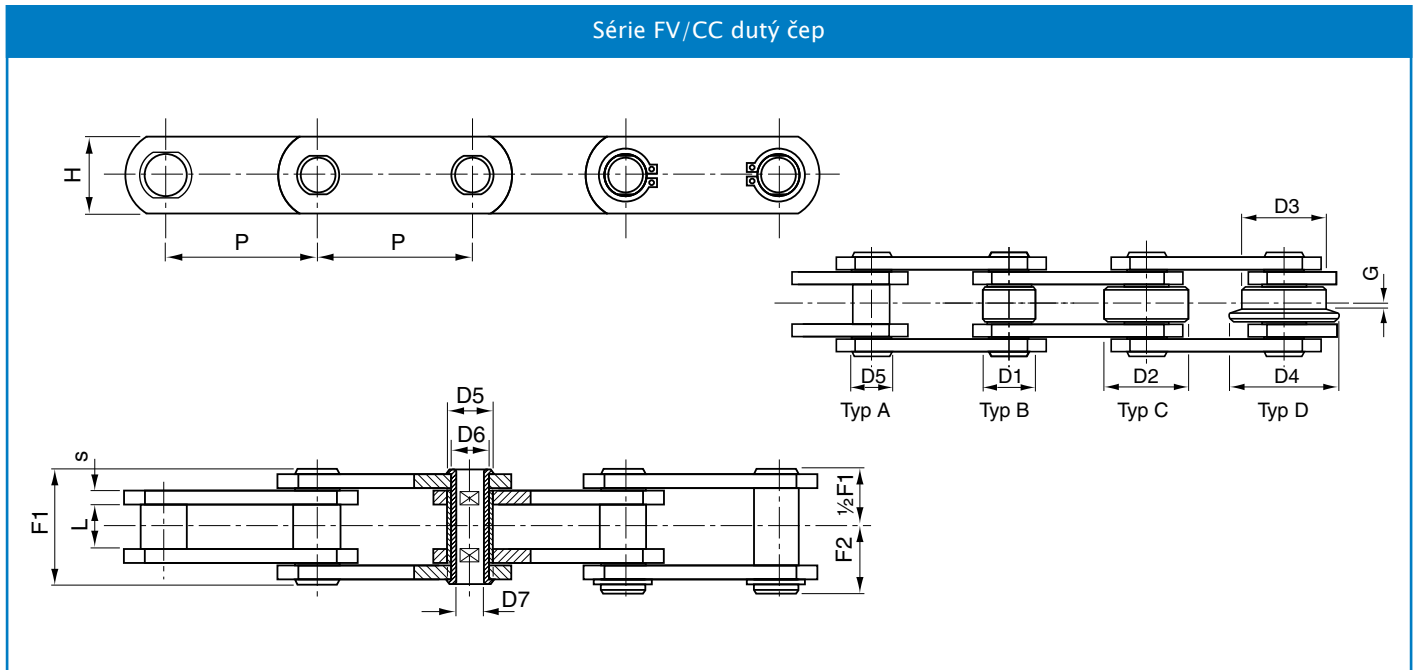


# Dopravní řetězy

Série FV/CC

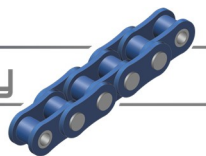
Dopravní řetězy metrické (DIN 8165)

Série FV/CC dutý čep



## Dutý čep

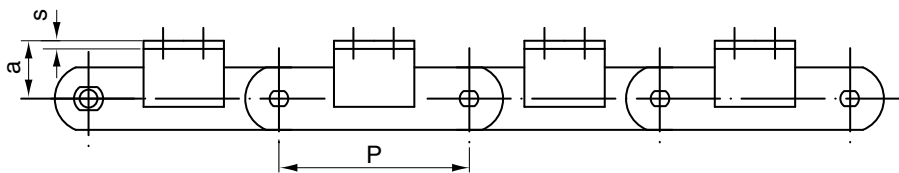
DIN č.	Č. řetězu	Rozteč															Mezní zatížení	Hmotnost
		P	L	G	H	S	F1	F2	D1	D2	D3	D4	D5	D6	D7	kN	(Typ C) kg/m	
FV180	CC145	125	45	13	50	8	86	45	42	70	100	125	30	20	14	145	18.2	
"	"	160	"	"	"	"	"	"	"	"	"	"	"	"	"	"	15.6	
"	"	200	"	"	"	"	"	"	"	"	"	"	"	"	"	"	13.8	
"	"	250	"	"	"	"	"	"	"	"	"	"	"	"	"	"	12.3	
"	"	315	"	"	"	"	"	"	"	"	"	"	"	"	"	"	11.0	
FV250	CC215	160	55	15	60	8	97	55	50	80	125	155	36	26	18	215	20.5	
"	"	200	"	"	"	"	"	"	"	"	"	"	"	"	"	"	18.0	
"	"	250	"	"	"	"	"	"	"	"	"	"	"	"	"	"	15.9	
"	"	315	"	"	"	"	"	"	"	"	"	"	"	"	"	"	14.2	
FV315	CC295	160	65	18	70	10	117	63	60	90	140	175	42	30	20	295	34.1	
"	"	200	"	"	"	"	"	"	"	"	"	"	"	"	"	"	29.5	
"	"	250	"	"	"	"	"	"	"	"	"	"	"	"	"	"	25.8	
"	"	315	"	"	"	"	"	"	"	"	"	"	"	"	"	"	22.8	
"	"	400	"	"	"	"	"	"	"	"	"	"	"	"	"	"	20.2	



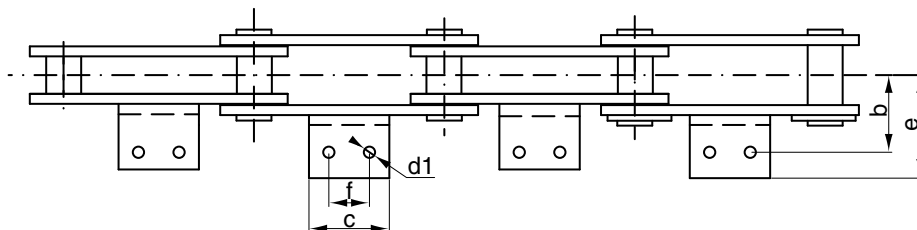
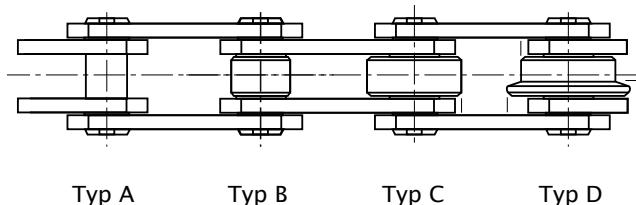
### Unášeče Série FV

### Dopravní řetězy metrické (DIN 8165)

#### Unášeče Série FV



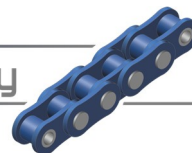
Poznámka: Unášeče jsou také k dispozici v provedení s 1, 2 nebo 3 díry a K1, K2 a K3 (oboustranné)



DIN č.	Č. řetězu	Rozteč P	a	b	c	d1	e	f	Svařovaný nebo integrální unášeč	Hmotnost řetěze - bez unášeče				Hmotnost unášeče (A2) kg každý
										Typ A	Typ B	Typ C	Typ D	
FV40	C42	50	20	25	45	6.5	64.0	*	#	2.4	2.9	4.0	5.6	0.050
"	"	63	"	"	31	"	40.5	*	#	2.0	2.4	3.3	4.5	0.036
"	"	80	"	"	45	"	"	25	# 25x3	1.9	2.2	3.0	3.9	0.050
"	"	100	"	"	50	"	"	30	# "	1.7	2.0	2.6	3.3	0.056
"	"	125	"	"	60	"	"	30	# "	1.6	1.9	2.3	3.0	0.067
FV63	C64	63	30	34	40	8.4	50.0	*	30x4	3.8	4.5	6.4	8.9	0.063
"	"	80	"	"	45	"	"	25	# "	3.2	3.8	5.3	7.2	0.095
"	"	100	"	"	50	"	"	30	"	3.0	3.5	4.7	6.2	0.110
"	"	125	"	"	60	"	"	40	"	2.7	3.0	4.0	5.3	0.140
"	"	160	"	"	70	"	"	50	"	2.4	2.7	3.5	4.4	0.170
FV90	C100	63	35	40	30	8.4	64.0	*	# 40x4	5.6	6.8	10.0	14.7	0.072
"	"	80	"	"	45	"	"	25	# "	5.1	6.0	8.6	12.3	0.110
"	"	100	"	"	50	"	"	30	# "	4.5	5.3	7.3	10.3	0.130
"	"	125	"	"	60	"	"	40	# "	4.2	4.8	6.5	8.8	0.160
"	"	160	"	"	70	"	"	50	# "	4.0	4.5	5.8	7.6	0.200
"	"	200	"	"	80	"	"	60	# "	3.5	3.8	4.8	5.8	0.240
"	"	250	"	"	85	"	"	65	# "	3.4	3.7	4.6	5.4	0.210
FV112	C120	100	40	50	50	11.0	70.0	30	40x6	6.7	7.7	11.2	18.8	0.200
"	"	125	"	"	65	"	"	40	"	6.0	6.8	9.6	15.7	0.270
"	"	160	"	"	75	"	"	50	"	5.5	6.1	8.3	13.0	0.310
"	"	200	"	"	90	"	"	65	"	5.2	5.7	7.5	11.3	0.400
"	"	250	"	"	105	"	"	80	"	4.9	5.3	6.7	9.8	0.500

\* Unášeč s jednou dírou

# Integrovaný unášeč

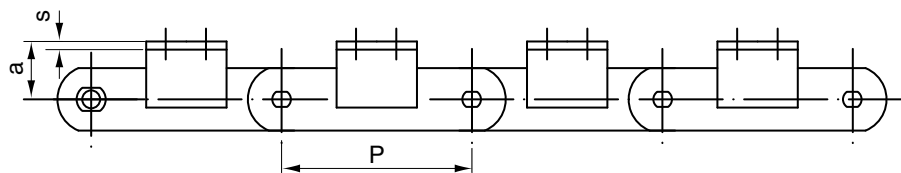


# Dopravní řetězy

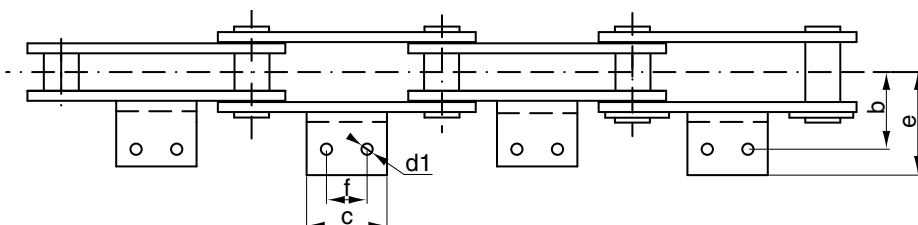
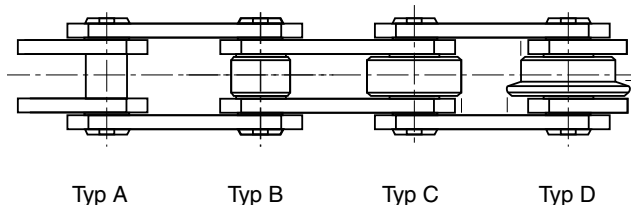
Unášeče Série FV

Dopravní řetězy metrické (DIN 8165)

Unášeče Série FV



Poznámka: Unášeče jsou také k dispozici v provedení s 1, 2 nebo 3 díry a K1, K2 a K3 (oboustranné)



DIN č.	Č. řetězu	Rozteč P	a	b	c	d1	e	f	Svařovaný nebo integrální unášeč	Hmotnost řetěze - bez unášeče kg/m				Hmotnost unášeče (A2) kg každý
										Typ A	Typ B	Typ C	Typ D	
FV140	C145	100	45	50	55	11	81	30	50x6	8.2	9.5	14.3	21.4	0.23
"	"	125	"	"	65	"	"	40	"	7.4	8.5	12.3	18.0	0.30
"	"	160	"	"	75	"	"	50	"	6.7	7.5	10.5	14.9	0.36
"	"	200	"	"	90	"	"	65	"	6.0	6.7	9.0	12.8	0.45
"	"	250	"	"	105	"	"	80	"	5.8	6.3	8.3	11.0	0.54
FV180	C190	125	45	64	63	13	91	35	50x7	10.5	12.4	18.9	31.3	0.32
"	"	160	"	"	80	"	"	50	"	10.2	11.7	16.7	26.5	0.41
"	"	200	"	"	95	"	"	65	"	9.6	10.8	14.8	25.9	0.52
"	"	250	"	"	110	"	"	80	"	8.9	9.8	13.0	19.3	0.62
"	"	315	"	"	130	"	"	100	"	8.3	9.0	11.6	16.6	0.72
FV250	C275	160	55	69	80	14	106	50	60x8	13.4	16.4	23.8	45.9	0.57
"	"	200	"	"	95	"	"	65	"	12.3	14.7	20.6	38.3	0.71
"	"	250	"	"	110	"	"	80	"	11.3	13.3	17.9	32.1	0.85
"	"	315	"	"	130	"	"	100	"	10.5	12.0	15.8	27.0	1.00
"	"	400	"	"	130	"	"	100	"	9.8	10.7	13.9	23.8	1.00
FV315	C370	160	60	85	50	14	130	*	70x10	20.4	24.9	33.3	67.8	0.52
"	"	200	"	"	95	"	"	65	"	18.5	22.1	28.9	56.4	0.98
"	"	250	"	"	110	"	"	80	"	17.0	20.0	25.3	47.3	1.13
"	"	315	"	"	130	"	"	100	"	15.9	18.2	22.4	39.9	1.34
"	"	400	"	"	130	"	"	100	"	15.0	16.8	20.2	34.0	1.34

\* Unášeč s jednou dírou