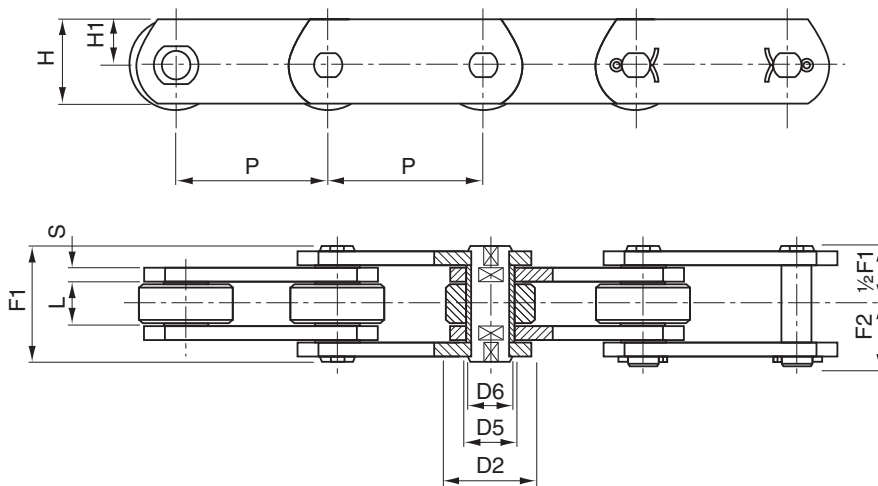


Dopravní řetězy - Conveyor Chains

Série MT - MT Series

Dopravní řetězy metrické - Metric Conveyor Chains (DIN 8167)

Série MT s nosnými deskami - MT Series Deep Link



S nosnými deskami - Deep Link

Č. řetězu Chain No.	Rozteč Pitch P	L	S	H	H1	F1	F2	D2	D5	D6	Mezní zatížení Breaking Load kN	Hmotnost Mass kg/m
MT 40	63	20	4	35	22.5	41	24	36	12	8	40	5.5
"	80	"	"	"	"	"	"	"	"	"	"	4.8
"	100	"	"	"	"	"	"	"	"	"	"	4.2
"	125	"	"	"	"	"	"	"	"	"	"	3.7
MT 56	63	24	4	45	30	49	27	42	15	10	56	8.3
"	80	"	"	"	"	"	"	"	"	"	"	7.0
"	100	"	"	"	"	"	"	"	"	"	"	6.1
"	125	"	"	"	"	"	"	"	"	"	"	5.4
MT 80	80	28	5	50	32.5	57	31	50	18	12	80	11.0
"	100	"	"	"	"	"	"	"	"	"	"	9.5
"	125	"	"	"	"	"	"	"	"	"	"	8.5
"	160	"	"	"	"	"	"	"	"	"	"	7.2
"	200	"	"	"	"	"	"	"	"	"	"	6.0
MT 112	80	32	6	60	40	65	36	60	21	15	112	17.0
"	100	"	"	"	"	"	"	"	"	"	"	14.5
"	125	"	"	"	"	"	"	"	"	"	"	13.0
"	160	"	"	"	"	"	"	"	"	"	"	11.0
"	200	"	"	"	"	"	"	"	"	"	"	10.0
MT 160	100	37	7	70	45	77	43	70	25	18	160	21.5
"	125	"	"	"	"	"	"	"	"	"	"	19.0
"	160	"	"	"	"	"	"	"	"	"	"	17.0
"	200	"	"	"	"	"	"	"	"	"	"	15.0
"	250	"	"	"	"	"	"	"	"	"	"	13.5
MT 224	125	43	8	90	60	84	50	85	30	21	224	32.5
"	160	"	"	"	"	"	"	"	"	"	"	27.5
"	200	"	"	"	"	"	"	"	"	"	"	23.0
"	250	"	"	"	"	"	"	"	"	"	"	21.0
"	315	"	"	"	"	"	"	"	"	"	"	19.0
MT 315	160	48	10	100	65	97	60	100	36	25	315	43.0
"	200	"	"	"	"	"	"	"	"	"	"	37.0
"	250	"	"	"	"	"	"	"	"	"	"	32.0
"	315	"	"	"	"	"	"	"	"	"	"	28.6
"	400	"	"	"	"	"	"	"	"	"	"	25.5