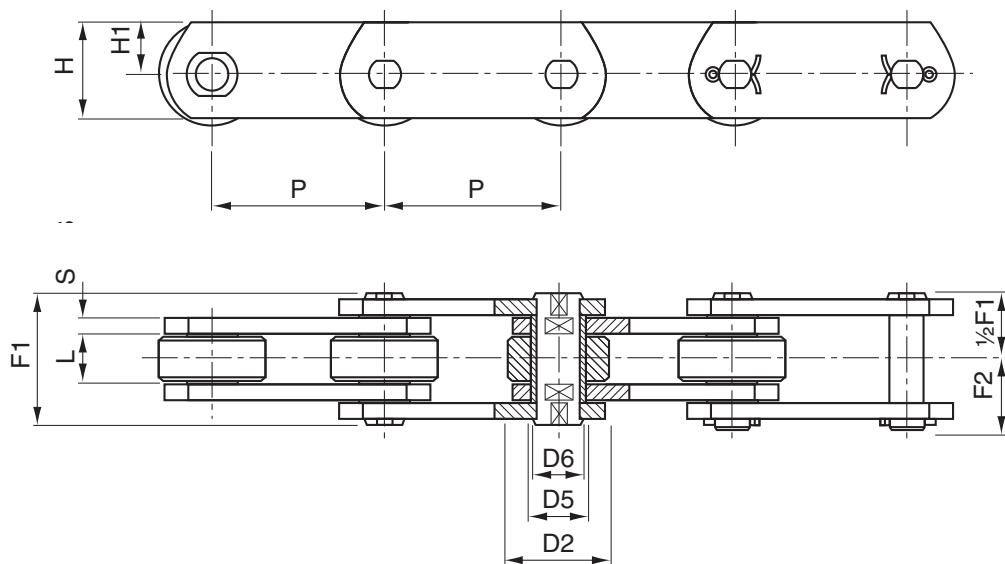


## Série FVT - FVT Series

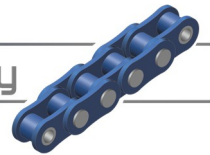
## Dopravní řetězy metrické - Metric Conveyor Chains (DIN 8165)

## Série FVT s nosnými deskami - FVT Series Deep Link



## S nosnými deskami - Deep Link

Č. řetězu Chain No.	Rozteč Pitch										Mezní zatížení Breaking Load kN	Hmotnost Mass kg/m
	P	L	H	H1	S	F1	F2	D2	D5	D6		
FVT40	50	18	35	22.5	3	36	21	32	15	10	42	5.0
"	63	"	"	"	"	"	"	"	"	"	"	4.3
"	80	"	"	"	"	"	"	"	"	"	"	3.8
"	100	"	"	"	"	"	"	"	"	"	"	3.4
"	125	"	"	"	"	"	"	"	"	"	"	3.0
FVT63	63	22	40	25	4	45	26	40	18	12	64	7.5
"	80	"	"	"	"	"	"	"	"	"	"	6.5
"	100	"	"	"	"	"	"	"	"	"	"	5.7
"	125	"	"	"	"	"	"	"	"	"	"	5.1
"	160	"	"	"	"	"	"	"	"	"	"	4.5
FVT90	63	25	45	27.5	5	53	30	48	20	14	100	11.7
"	80	"	"	"	"	"	"	"	"	"	"	10.0
"	100	"	"	"	"	"	"	"	"	"	"	8.7
"	125	"	"	"	"	"	"	"	"	"	"	7.7
"	160	"	"	"	"	"	"	"	"	"	"	6.8
"	200	"	"	"	"	"	"	"	"	"	"	5.8
"	250	"	"	"	"	"	"	"	"	"	"	5.4
FVT112	100	30	50	30	6	62	35	55	22	16	120	12.7
"	125	"	"	"	"	"	"	"	"	"	"	11.7
"	160	"	"	"	"	"	"	"	"	"	"	9.7
"	200	"	"	"	"	"	"	"	"	"	"	8.7
"	250	"	"	"	"	"	"	"	"	"	"	8.0

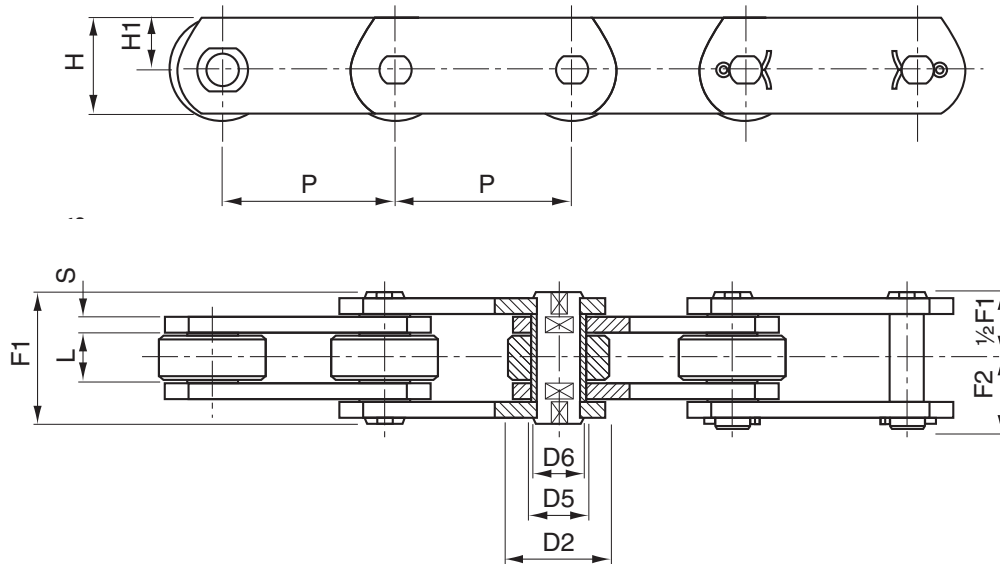


# Dopravní řetězy - Conveyor Chains

Série FVT - FVT Series

Dopravní řetězy metrické - Metric Conveyor Chains (DIN 8165)

Série FVT s nosnými deskami - FVT Series Deep Link



## S nosnými deskami - Deep Link

Č. řetězu Chain No.	Rozteč Pitch p	L	H	H1	S	F1	F2	D2	D5	D6	Mezní zatížení Breaking Load kN	Hmotnost Mass kg/m
FVT140	100	35	60	37.5	6	67	38	60	25	18	145	16.8
"	125	"	"	"	"	"	"	"	"	"	"	14.6
"	160	"	"	"	"	"	"	"	"	"	"	12.6
"	200	"	"	"	"	"	"	"	"	"	"	11.3
"	250	"	"	"	"	"	"	"	"	"	"	10.1
FVT180	125	45	70	45	8	86	49	70	30	20	190	24.2
"	160	"	"	"	"	"	"	"	"	"	"	20.8
"	200	"	"	"	"	"	"	"	"	"	"	18.4
"	250	"	"	"	"	"	"	"	"	"	"	16.5
"	315	"	"	"	"	"	"	"	"	"	"	14.9
FVT250	160	55	80	50	8	97	55	80	36	26	275	28.2
"	200	"	"	"	"	"	"	"	"	"	"	24.5
"	250	"	"	"	"	"	"	"	"	"	"	21.7
"	315	"	"	"	"	"	"	"	"	"	"	19.3
FVT315	160	65	90	55	10	26	70	90	42	30	370	39.9
"	200	"	"	"	"	"	"	"	"	"	"	34.8
"	250	"	"	"	"	"	"	"	"	"	"	30.6
"	315	"	"	"	"	"	"	"	"	"	"	27.3
"	400	"	"	"	"	"	"	"	"	"	"	24.5